



Operation manual for models:

دليل المستخدم للنماذج:

Manuel d'utilisation pour les modèles:

Benutzerhandbuch für Modelle:

Εγχειρίδιο χρήστη για μοντέλα:

Manual de usuario para modelos:

P46ER



Two Year Limited Warranty

This limited warranty covers all defects in materials only and/or workmanship only. If a structural or mechanical defect occurs during the warranty period, ExecutiveSafe Company Limited or its designee (hereafter "ExecutiveSafe") will repair or replace the defective part(s) of the Product or Product, at its sole option, at no charge. You may have certain rights under your local law. Nothing in these terms is intended to affect those rights, if they are applicable.

Warranty Service

To obtain Warranty service contact your local ExecutiveSafe office with your name address, proof of purchase - original sales receipt is required with no exception (**store your sales receipt in the safe**) and with a brief description of the problem.

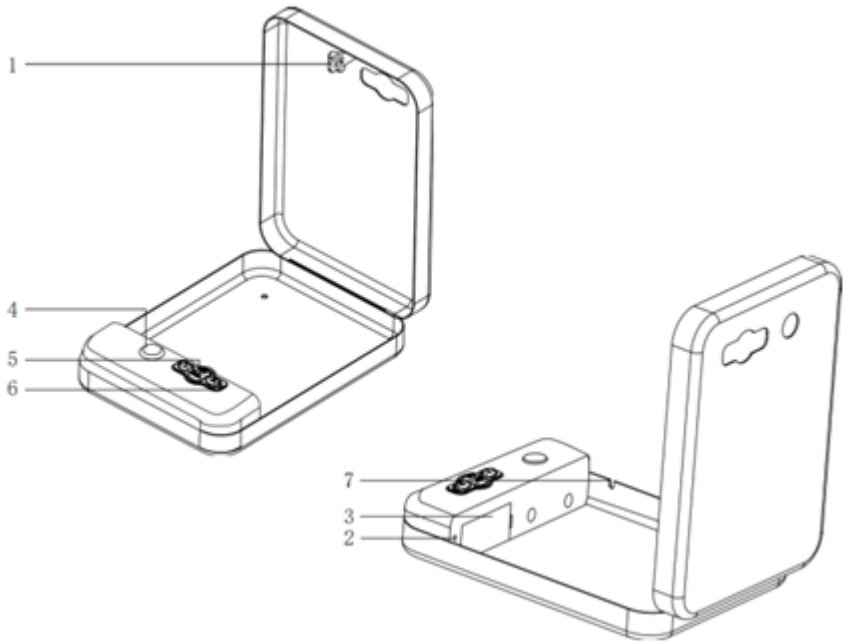
DO NOT SEND YOUR DEFECTIVE PRODUCT BACK TO EXECUTIVESAFE.

Limitations of warranty

1. ExecutiveSafe's responsibility and the buyer's exclusive remedy under this warranty are limited to the repair or replacement of the defective part(s) of the Product or Product, at ExecutiveSafe's sole option. In no event shall ExecutiveSafe be liable for loss or damage due to external events such as theft, fire, water, earthquake, or vandalism or for any incidental or consequential damages to persons or property (including the contents of the Product) resulting from the breach of this or any other expressed or implied warranty applicable to the Product.
2. Except as may be otherwise provided by applicable law, ExecutiveSafe disclaims any and all other covenants and warranties, whether written or oral, expressed or implied, including, but not limited to, the implied warranties of merchantability, satisfactory quality, fitness for a particular purpose, workmanlike effort, and non-infringement.
3. ExecutiveSafe is not responsible for damage, defects, or malfunction to the Product caused by shipment.
4. This Limited Warranty does not cover defects, damage, or malfunction caused by alteration, modification, service or repair of the Product by anyone other than ExecutiveSafe, or caused by misuse of the product or physical abuse to the product.
5. This Limited Warranty does not cover normal wear, battery replacement or periodic maintenance.

PLEASE READ THE MANUAL ENTIRELY BEFORE START USING THE SAFE

Schematic Diagram of Portable Safe Model P46ER



1. Locking Latch
2. Programming Button
3. Battery Compartment
4. Override Key Lock
5. RFID Sensor
6. LED Panel
7. Locking Cord Slot

Using the Override Key to Open the Safe

Insert the override key into the override key lock of the safe.
Turn the key counter clockwise until it stops to release the lid.
Turn the key clockwise remove it and open the lid.

NOTE: DO NOT STORE THE OVERRIDE KEYS IN YOUR SAFE!

Please secure your override keys in a safe place. If the override keys are lost or damaged, contact your local ExecutiveSafe office.

Battery Installation

Four alkaline AAA batteries (**NOT included**) are required.

NOTE: Non-alkaline or rechargeable batteries ARE NOT RECOMMENDED.

With the lid open, remove the egg foam carpet and remove the battery compartment cover and battery compartment. Insert the batteries as indicated in the battery compartment. Insert back the battery compartment, cover and egg foam carpet.

Batteries should be replaced:

When you use the combination or the RFID key fob or the RFID access card to open the safe and both the blue and green back lights of the keypad buttons are flashing simultaneously then the batteries should be replaced with new alkaline batteries.

How to Program your Combination

For your safety, please program your combination before start using the safe.

The safe is shipped with the preprogrammed combination 123.

Your combination must be a 3 to 8-digit number.

The middle button having the RFID mark is the number “2”

The button to the left is the number “1”

The button to the right is the number “3”

With the lid open and using the pin (provided) press and release the programming button. The lights around the buttons will turn blue and two beeps are emitted.

Enter your combination (3 to 8 digits) every time a button is pressed the light of that button flashes blue and a short beep is emitted.

Using the pin (provided) press and release the programming button to confirm the combination.

The lights of the buttons flash blue and two beeps are emitted.

Note: If the programmed combination has 8-digits then there is no need to press and release the programming button for confirmation.

The previous programmed combination is deleted.

If you have made a mistake then the programming of your combination needs to be repeated.

Test the combination you just programmed with the lid open.

Programming of the RFID Access Card / RFID Key Fob

Up to 20 RFID cards / key fobs can be programmed.

With the lid open and using the pin (provided) press and release the programming button. The lights around the buttons will turn blue and two beeps are emitted.

Hold the RFID access card / RFID key fob over the RFID sensor. Once the RFID device is read, two beeps are emitted. Remove the RFID device from the RFID sensor.

Using the pin (provided) press and release the programming button to confirm. Four beeps are emitted and the blue lights turn off.

Test the programmed RFID device with the lid open.

Opening the Safe with your Combination:

To open the safe, enter the preprogrammed combination. Each time a button is pressed the blue back light of the pressed button comes on and a beep is emitted. When the correct combination is entered then all three back lit buttons turn green and a long buzzer beep is emitted indicating that the safe is open. The safe unlocks automatically. If the wrong combination is entered then the 3 button back lights turn blue and 3 short beeps are emitted.

Opening the Safe with an RFID Device:

Locate the RFID middle button, which is marked with the RFID symbol and has the sensor. Press and release that button. Hold the RFID access card or the RFID key fob over the RFID sensor. All three back lit buttons turn green and a long buzzer beep is emitted indicating that the safe is open. The safe unlocks automatically. If the wrong combination is entered then the 3 button back lights turn blue and 3 short beeps are emitted.



Closing the Safe:

Close the lid to lock the safe

Lock Out Function

After 3 consecutive wrong combination entries (digital entry or RFID entry) the safe will enter a 5-minute lock out period disabling the keypad and the RFID sensor

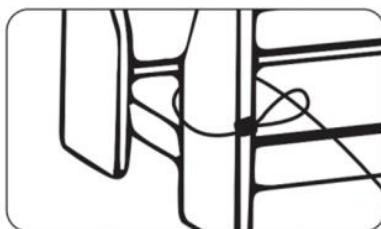
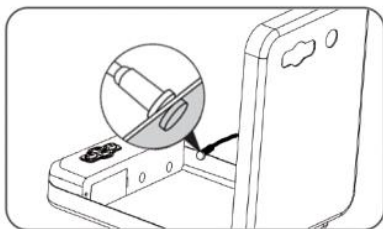
Sound on / Sound off Function

Press and hold the RFID button marked with “” to turn the sound “off”
Press and hold the RFID button marked with “” to turn the sound “on”

How to Delete All RFID Device Entries

With the lid open and using the pin (provided) press and hold the programming button until two beeps are emitted and the green lights around the buttons flash. All programmed RFID entries are deleted. The digital combination remains.

How to Install the Locking Cord



**ExecutiveSafe Company Limited
15, Nikitara Street
Nicosia 1080
Cyprus**

Tel: +357 700 7 0202

**Email: info@executivesafes.com
www.executivesafes.com**